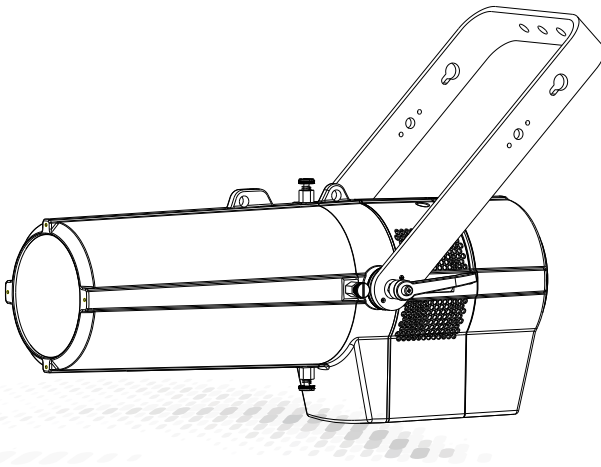




创意源于追求
Own Idea Of Lighting

SHOWPRO



FUSION PROFILE IP FC USER MANUAL

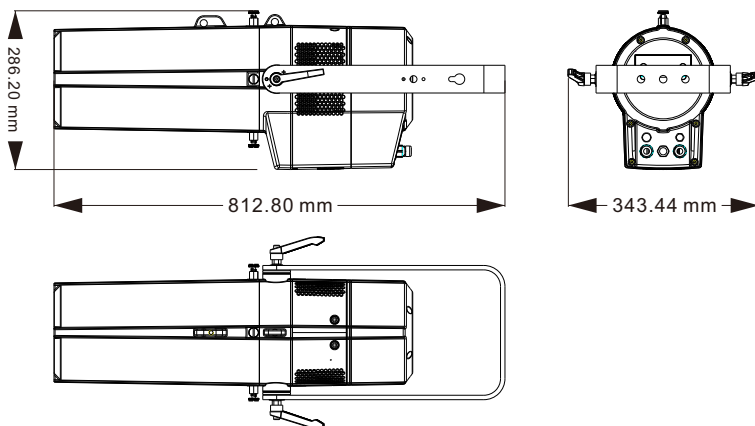




1 Product Introduction

1.1 Specification

Product Code	LEDMOV165
Dimenson	812 × 343 × 286(mm)
Weight	16KG
Rated Power	240W
Input Voltage	AC100~240V
Frequency Range	50/60Hz
Ambient Temperature	-20℃~45℃
Beam Angle	15°~30°
Control Model	DMX512/RDM



1.2 Safety warning

IMPORTANT

Always read the user manual before operation.

Please confirm that the power supply stated on the product is the same as the mains power supply in your area.

- This product must be installed by a qualified professional.
- Always operate the equipment as described in the user manual.
- A minimum distance of 0.5m must be maintained between the equipment and combustible surface.
- The product must always be placed in a well ventilated area.
- Always make sure that the equipment is installed securely.
- Do not stand close to the equipment and stare directly into the LED light source.
- Always disconnect the power supply before attempting and maintenance.
- Always make sure that the supporting structure is solid and can support the combined weight of the products.
- The earth wire must always be connected to the ground.
- Do not touch the power cables if your hands are wet.

ATTENTION

⚠ ATTENTION ⚠

- This product left the place of manufacture in perfect condition. In order to maintain this condition and for safe operation, the user must always follow the instructions and safety warnings described in this user manual.
- Avoid shaking or strong impacts to any part of the equipment.
- Make sure that all parts of the equipment are kept clean and free of dust.
- Always make sure that the power connections are connected correct and secure.
- If there is any malfunction of the equipment, contact your distributor immediately.
- When transferring the product, it is advisable to use the original packaging in which the product left the factory.
- Shields, lenses or ultraviolet screens shall be changed if they have become damaged to such an extent that their effectiveness is impaired.
- The lamp (LED) shall be changed if it has become damaged or thermally deformed.



Caution, risk of electric shock

The light source contained in this luminaire shall only be replaced by the manufacturer or his service agent or a similar qualified person.

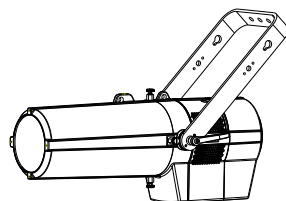


2 Installation

2.1 Mounting

The fixture can be mounted in any position. Always ensure that mounting surface can withstand 10 times the weight of the fixture.

Always use a safety cable when mounting the fixture in any elevated position.



UPRIGHT

Important safety note!!

Always use a safety cable when installing this unit!!

Be sure that the safety cable is connected to a solid load-bearing structure.

2.2 Power connections

This product uses input and output power cable is 1.5 square mm copper wire

Note:

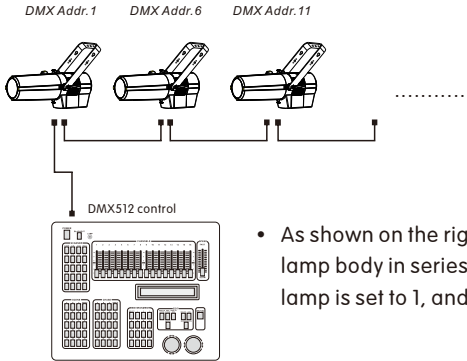
If the signal cable is over 60m between the DMX512 controller and fixture or between two fixtures, then a DMX signal amplifier is needed as well.

2.3 Connecting DMX512

The DMX console and the lamp body are connected in series.

Because the Std.P MODE is five channels, the address code of the lamp increases by 5 times such as (1, 6, 11, 16...), also each it can be reused as needed.

The DMX address code can be any value between 001 and 512.

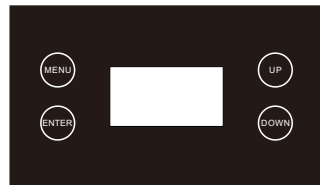


- As shown on the right, the controller is connected to the lamp body in series, the DMX address code for the first lamp is set to 1, and second unit is set to 6, and so on.

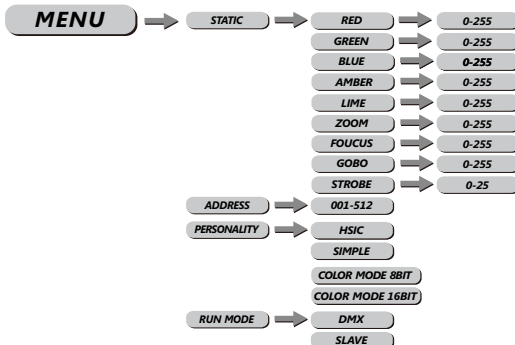
3 Display panel operation

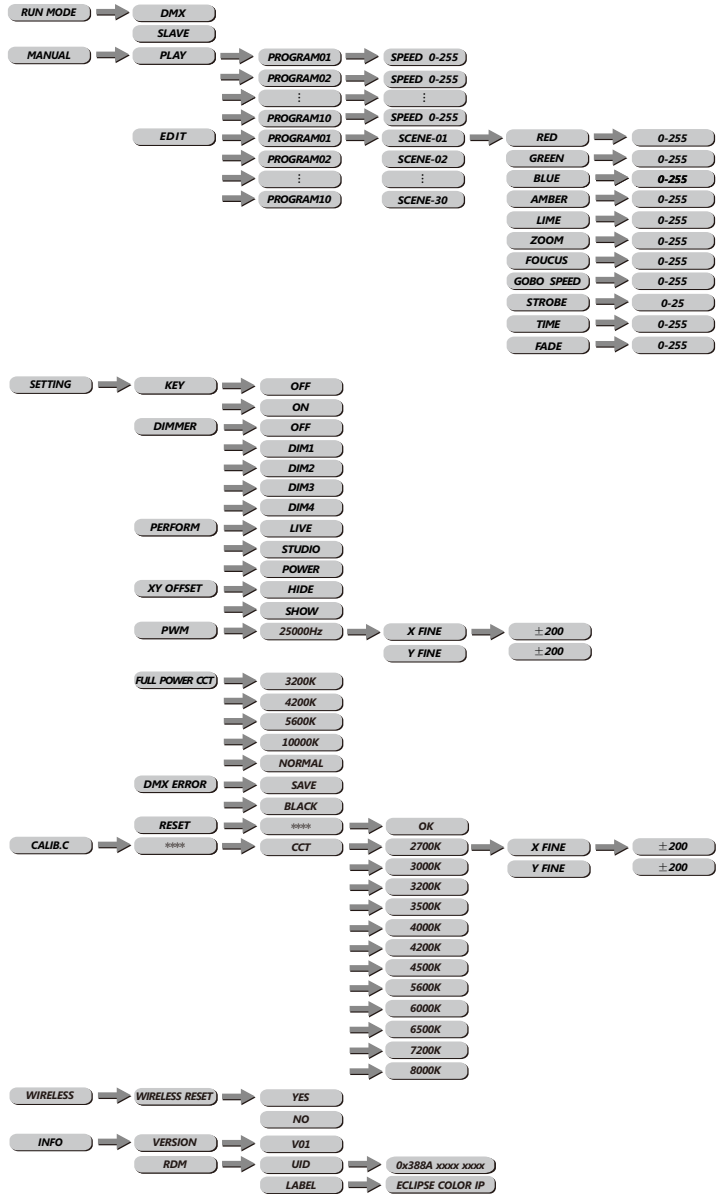
3.1 Display operation

- MENU: Back
- ENTER: Save
- UP: Direction up
- DOWN: Direction down

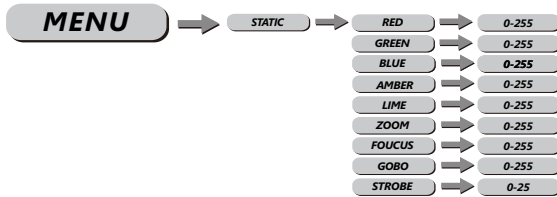


3.2 Menu





3.3 STATIC Setting



- Enter the STATIC mode to create the programs
- Combine RED/ GREEN/BLUE/AMBER/LIME/ZOOM/FOCUS/GOBO/STROBE to create a definite range of colors ,Push up and down buttons adjust 0–255 value,Set value of the STROBE,Push up and down buttons adjust 0–20Hz value
- The static setting will be valid when the fixture is powered again.

3.4 DMX Address Setting



- Enter the [DMX] mode to set the DMX address.
- Enter Up/Down select [1~512] address.
- Enter [MENU] return.

3.5 PERSONALITY Setting



- Press enter the menu to do a custom choice on the ‘PERSONALITY’ menu.
- Press UP or DOWN to select [HISC] , [SIMPLE] , [COLOR MODE 8BIT] , [COLOR MODE 16BIT] , please refer to DMX channel table for the specific channel value .

3.6 RUNMODE Setting

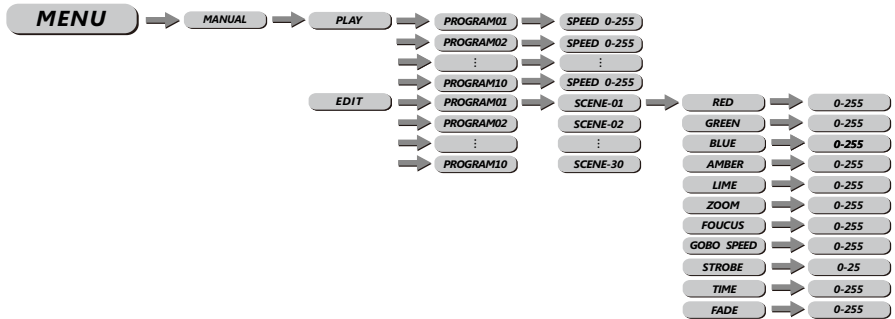


- [RUNMODE] menu, select required run mode,there are any modes inside: [DMX] DMX mode, [SLAVE] SLAVE mode, press Down/Up select mode.
- [DMX] mode is for using the DMX512 controller to control the fixtures.



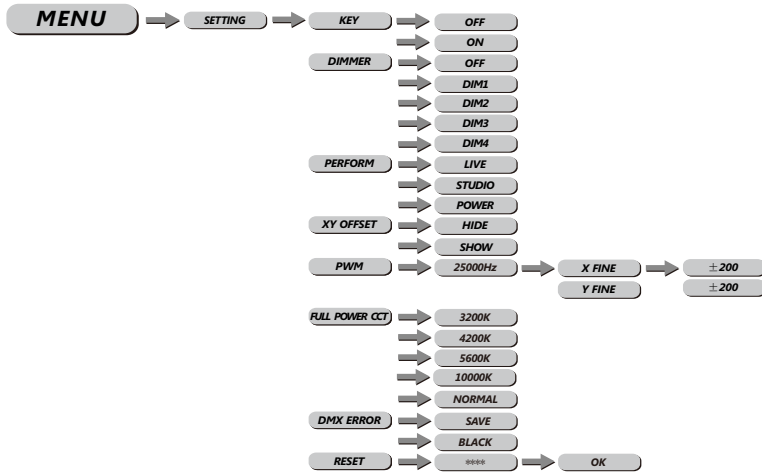
- [SLAVE] mode is for Master --- Slave operation.
- press [ENTER] accept,press [MENU] return.

3.7 MANUAL Setting



- [MANUAL] ,press [ENTER] , enter into control knob switch set up.
- Select [PLAY] and press enter to select [PROGRAM01] ~ [PROGRAM10] , the value adjustment range of each self-programming mode is 0~255, press the [MENU] key to return the MENU, and the selected value is saved automatically.
- Enter the EDIT mode to edit the custom programs [PROGRAM01] to [PROGRAM10] .Each custom program has 30 steps that can be edited.Each step allows the creation of a scene using RED [RED] , GREEN [GREEN] , BLUE [BLUE] , AMBER [AMBER] , LIME [LIME] , ZOOM [ZOOM] , FOCUS [FOCUS] , GOBO ROTA [GOBO ROTA] , STROBE [STROBE] , TIME [TIME] , FADE [FADE] .The data value range [0~255] is in seconds,The TIME setting of [FADE] is less than that of [TIME] ,press the [MENU] key to return the MENU, and the selected value is saved automatically.

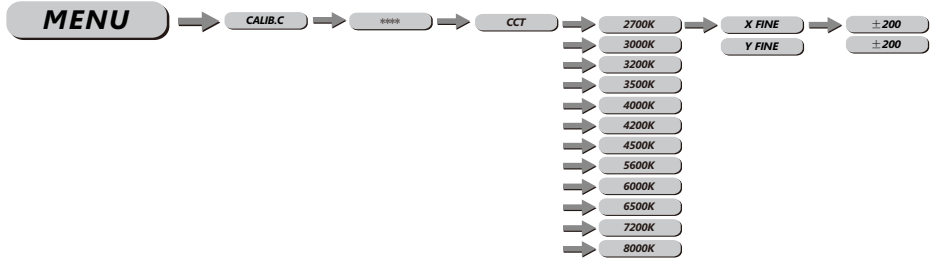
3.8 SETTING



- [SET] ...This menu allows the user to adjust key operation settings for this fixture.
- [KEY] ... select [ON] for automatic lock-out. Password to re-enter the display is <UP>+ <DOWN>+ <UP>+ <DOWN>.
- [DIMMER] is a non-linear DIMMER speed setting, <OFF> is a normal linear dimming, Select [DIM1]、 [DIM2]、 [DIM3] or [DIM4] for different dimming speeds. ([DIM4] is the slowest dimming speed).
- [PERFORM] menu, select [LIVE/STUDIO/POWER] as required fan speed.
- [XY OFFSET] is the setting to hide the fine adjustment of the refresh frequency, select, [SHOW] as not hidden, select [HIDE] as hidden, The default setting is [HIDE] .
- [PWM] is the PWM refresh frequency selection. When the [XY OFFSET] option is SHOW, the PWM submenu can set X FINE and Y FINE tuning options. (Note: as the refresh frequency increases, the gray scale level of the dimmer will decrease (i.e. the higher the refresh frequency, the less gray it will be).
- [FULL POWER CCT] is the color temperature choose bottom, press UP/DOWN to choose, under full power, <3200K>、 <4200K>、 <5600K> 、 <10000K> can be chosen, when choose <COLOR>、 <3200K>、 <4200K>、 <5600K> 、 <10000K>are not work, but choose <NORMAL>. <NORMAL> is the default initial setting.
- [DMX ERROR] Choose<SAVE> in order to save the last DMX data in case of DMX signal error. Choose<BLACK> in order to blackout in case of DMX signal error.
- [RESET] RESET the lamp. Enter the password "up down up down " to confirm, and then perform the RESET of the lamp parameters.



3.9 CALIB.CCT



- Press [ENTER] to enter the [CALIB.CCT] White light temperature setting, then press DOWN/UP key to select the value of color temperature under the full power [2700 K]、[3000K]、[3200K]、[3500K]、[4000K]、[4200K]、[4500K]、[5600K]、[6000K]、[6500K]、[7200K]、[8000K],you can press DOWN or UP to select [X FINE] or [Y FINE],then select the value ± 200,if you need to adjust the color temperature.

3.10 WIRELESS Setting



- [WIRELESS] WIRELESS DMX mode, press [ENTER] key to ENTER, [WIRELESS RESET] WIRELESS DMX RESET, select YES as RESET, and NO as NO RESET.

3.11 INFO



- Press [ENTER] into [INFO] check information, press up and down
- [VERSION] is software versions;
- [RDM] check fixture's ID;

4 Using a DMX512 Controller

4.1 Channel Assignment

Note: this product have four DMX512 channel configuration:
 [HISC] / [SIMPLE] / [COLOR MODE 8BIT] / [COLOR MODE 16BIT]

HISC

CHANNEL	VALUE	FUNCTION
CH.1	000 ↔ 255	INTENSITY
CH.2	000 ↔ 255	HUE
CH.3	000 ↔ 255	HUE FINE
CH.4	000 ↔ 255	SATURATION
	CCT	
	000 ↔ 010	NO FUNCTION
	011 ↔ 030	2700K
	031 ↔ 050	3000K
	051 ↔ 070	3200K
	071 ↔ 090	3500K
CH.5	091 ↔ 110	4000K
	111 ↔ 130	4200K
	131 ↔ 150	4500K
	151 ↔ 170	5600K
	171 ↔ 190	6000K
	191 ↔ 210	6500K
	211 ↔ 230	7200K
	231 ↔ 255	8000K
	STROBE	
	000 ↔ 009	NO FUNCTION
	010 ↔ 099	STROBE FROM SLOW TO FAST (0-25Hz)
CH.6	100 ↔ 109	NO FUNCTION
	110 ↔ 179	LIGHTNING STROBE
	180 ↔ 189	NO FUNCTION
	190 ↔ 255	RANDOM STROBE
	GOBO ROTATION	
	000 ↔ 009	NO FUNCTION
	010 ↔ 145	GOBO INDEX(0 → 360°)
CH.7	146 ↔ 150	STOP ROTATION
	151 ↔ 200	CLOCKWISE (SPEED 1 → 100%)



	201 ↔ 205	STOP ROTATION
	206 ↔ 255	COUNTERCLOCKWISE (SPEED 1 → 100%)
CH.8	CONTROL	
	000 ↔ 009	NO FUNCTION
	010 ↔ 034	LIVE
	035 ↔ 059	STUDIO
	060 ↔ 084	POWER
	085 ↔ 109	DIM0
	110 ↔ 134	DIM1
	135 ↔ 159	DIM2
	160 ↔ 184	DIM3
	185 ↔ 209	DIM4
	210 ↔ 234	ZOOM, FOCUS, GOBO RESET
	235 ↔ 255	NO FUNCTION

SIMPLE

CHANNEL	VALUE	FUNCTION
CH.1	000 ↔ 255	DIMMER
CH.2	000 ↔ 255	RED
CH.3	000 ↔ 255	GREEN
CH.4	000 ↔ 255	BLUE
CH.5	000 ↔ 255	AMBER
CH.6	000 ↔ 255	LIME
CH.7	000 ↔ 255	ZOOM
CH.8	000 ↔ 255	FOCUS
CH.9	STROBE	
	000 ↔ 009	NO FUNCTION
	010 ↔ 099	STROBE FROM SLOW TO FAST (0-25Hz)
	100 ↔ 109	NO FUNCTION
	110 ↔ 179	LIGHTNING STROBE
	180 ↔ 189	NO FUNCTION
190 ↔ 255	RANDOM STROBE	
CH.10	CONTROL	
	000 ↔ 009	NO FUNCTION
	010 ↔ 034	LIVE
	035 ↔ 059	STUDIO
	060 ↔ 084	POWER
085 ↔ 109	OFF	

CHANNEL	VALUE	FUNCTION
	110 ↔ 134	DIM1
	135 ↔ 159	DIM2
	160 ↔ 184	DIM3
	185 ↔ 209	DIM4
	210 ↔ 234	ZOOM, FOCUS, GOBO RESET
	235 ↔ 255	NO FUNCTION

COLOR MODE 8BIT

CHANNEL	VALUE	FUNCTION
CH.1	000 ↔ 255	DIMMER
CH.2	000 ↔ 255	RED
CH.3	000 ↔ 255	GREEN
CH.4	000 ↔ 255	BLUE
CH.5	000 ↔ 255	AMBER
CH.6	000 ↔ 255	LIME
	PRESET COLOR	
	000 ↔ 010	NO FUNCTION
	011 ↔ 020	L106
	021 ↔ 030	R05
	031 ↔ 040	L194
	041 ↔ 050	R54
	051 ↔ 060	L019
	061 ↔ 070	R08
	071 ↔ 080	R89
	081 ↔ 090	R86
CH.7	091 ↔ 100	L213
	101 ↔ 110	R377
	111 ↔ 120	R80
	121 ↔ 130	L202
	131 ↔ 140	L328
	141 ↔ 150	R3314
	151 ↔ 160	L101
	161 ↔ 170	L768
	171 ↔ 255	NO FUNCTION



CHANNEL	VALUE	FUNCTION
CH.8	CCT	
	000 ↔ 010	NO FUNCTION
	011 ↔ 030	2700K
	031 ↔ 050	3000K
	051 ↔ 070	3200K
	071 ↔ 090	3500K
	091 ↔ 110	4000K
	111 ↔ 130	4200K
	131 ↔ 150	4500K
	151 ↔ 170	5600K
	171 ↔ 190	6000K
	191 ↔ 210	6500K
	211 ↔ 230	7200K
	231 ↔ 255	8000K
CH.9	000 ↔ 255	ZOOM
CH.10	000 ↔ 255	FOCUS
CH.11	STROBE	
	000 ↔ 009	NO FUNCTION
	010 ↔ 099	STROBE FROM SLOW TO FAST (0-25Hz)
	100 ↔ 109	NO FUNCTION
	110 ↔ 179	LIGHTNING STROBE
	180 ↔ 189	NO FUNCTION
	190 ↔ 255	RANDOM STROBE
CH.12	GOBO ROTATION	
	000 ↔ 009	NO FUNCTION
	010 ↔ 145	GOBO INDEX(0 → 360°)
	146 ↔ 150	STOP ROTATION
	151 ↔ 200	CLOCKWISE (SPEED 1 → 100%)
	201 ↔ 205	STOP ROTATION
206 ↔ 255	COUNTERCLOCKWISE (SPEED 1 → 100%)	
CH.13	CONTROL	
	000 ↔ 009	NO FUNCTION
	010 ↔ 034	LIVE
	035 ↔ 059	STUDIO
	060 ↔ 084	POWER
	085 ↔ 109	DIM0
	110 ↔ 134	DIM1
	135 ↔ 159	DIM2
160 ↔ 184	DIM3	

CHANNEL	VALUE	FUNCTION
	185 ↔ 209	DIM4
	210 ↔ 234	ZOOM, FOCUS, GOBO RESET
	235 ↔ 255	NO FUNCTION

COLOR MODE 16BIT

CHANNEL	VALUE	FUNCTION
CH.1	000 ↔ 255	DIMME
CH.2	000 ↔ 255	DIMMER FINE
CH.3	000 ↔ 255	RED
CH.4	000 ↔ 255	RED FINE
CH.5	000 ↔ 255	GREEN
CH.6	000 ↔ 255	GREEN FINE
CH.7	000 ↔ 255	BLUE
CH.8	000 ↔ 255	BLUE FINE
CH.9	000 ↔ 255	AMBER
CH.10	000 ↔ 255	AMBER FINE
CH.11	000 ↔ 255	LIME
CH.12	000 ↔ 255	LIME FINE
	PRESET COLOR	
	000 ↔ 010	NO FUNCTION
	011 ↔ 020	L106
	021 ↔ 030	R05
	031 ↔ 040	L194
	041 ↔ 050	R54
	051 ↔ 060	L019
	061 ↔ 070	R08
	071 ↔ 080	R89
	081 ↔ 090	R86
CH.13	091 ↔ 100	L213
	101 ↔ 110	R377
	111 ↔ 120	R80
	121 ↔ 130	L202
	131 ↔ 140	L328
	141 ↔ 150	R3314
	151 ↔ 160	L101
	161 ↔ 170	L768
	171 ↔ 255	NO FUNCTION



CHANNEL	VALUE	FUNCTION
	CCT	
CH.14	000 ↔ 010	NO FUNCTION
	011 ↔ 030	2700K
	031 ↔ 050	3000K
	051 ↔ 070	3200K
	071 ↔ 090	3500K
	091 ↔ 110	4000K
	111 ↔ 130	4200K
	131 ↔ 150	4500K
	151 ↔ 170	5600K
	171 ↔ 190	6000K
	191 ↔ 210	6500K
	211 ↔ 230	7200K
	231 ↔ 255	8000K
CH.15	000 ↔ 255	ZOOM
CH.16	000 ↔ 255	FOCUS
	STROBE	
CH.17	000 ↔ 009	NO FUNCTION
	010 ↔ 099	STROBE FROM SLOW TO FAST (0-25Hz)
	100 ↔ 109	NO FUNCTION
	110 ↔ 179	LIGHTNING STROBE
	180 ↔ 189	NO FUNCTION
	190 ↔ 255	RANDOM STROBE
	GOBO ROTATION	
CH.18	000 ↔ 009	NO FUNCTION
	010 ↔ 145	GOBO INDEX(0 → 360°)
	146 ↔ 150	STOP ROTATION
	151 ↔ 200	CLOCKWISE (SPEED 1 → 100%)
	201 ↔ 205	STOP ROTATION
	206 ↔ 255	COUNTERCLOCKWISE (SPEED 1 → 100%)
	CONTROL	
CH.19	000 ↔ 009	NO FUNCTION
	010 ↔ 034	LIVE
	035 ↔ 059	STUDIO
	060 ↔ 084	POWER
	085 ↔ 109	OFF
	110 ↔ 134	DIM1
	135 ↔ 159	DIM2
	160 ↔ 184	DIM3

CHANNEL	VALUE	FUNCTION
	185↔209	DIM4
	210↔234	ZOOM, FOCUS, GOBO RESET
	235↔255	NO FUNCTION



